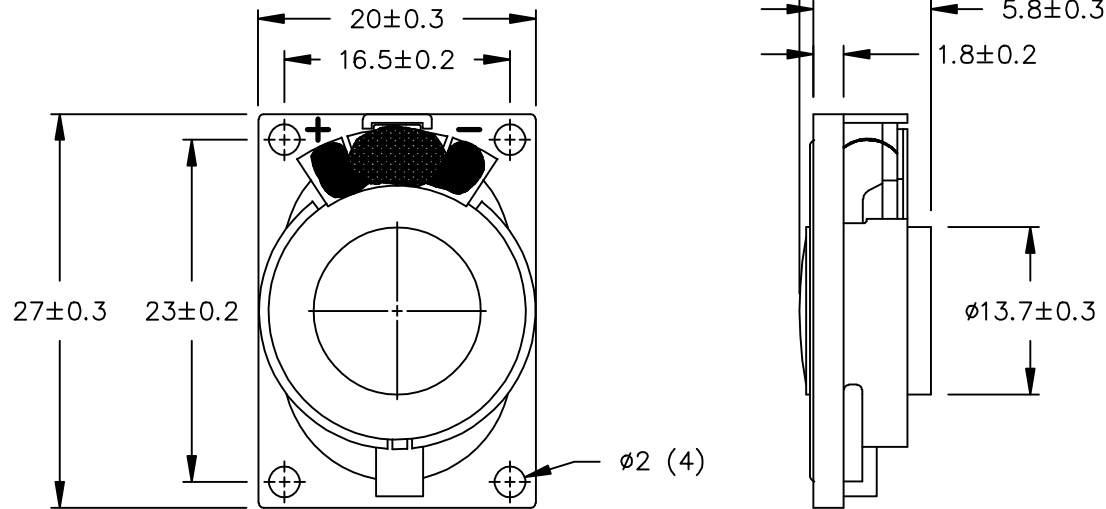


THIS DOCUMENT CONTAINS DATA PROPRIETARY TO PROJECTS UNLIMITED, INC. ANY USE OR REPRODUCTION, IN ANY FORM, WITHOUT PRIOR WRITTEN PERMISSION OF PROJECTS UNLIMITED, INC. IS PROHIBITED.
 ©2005, Projects Unlimited Inc.

SPECIFICATIONS

| PARAMETERS | VALUES | UNITS |
|---|-------------|-------|
| RATED INPUT POWER | 1 | W |
| MAX INPUT POWER | 3 | W |
| IMPEDANCE | 8±15% | OHM |
| OUTPUT SPL @ 1W/0.5M (AT 0.8, 1.0, 1.2, 1.5 kHz) | 80±3 | dB |
| DISTORTION (MAX.) | 5% | - |
| RESONANT FREQUENCY | 550±20% | Hz |
| FREQUENCY RANGE | 550 ~ 20000 | Hz |
| HOUSING MATERIAL | ABS | - |
| CONE MATERIAL | CLOTH | - |
| MAGNET MATERIAL | Nd-Fe-B | - |
| OPERATING TEMPERATURE | -20 ~ +60 | °C |
| WEIGHT | 4.5 | grams |


| REVISIONS | | | |
|-----------|---------------------------------|----------|----------|
| LTR | DESCRIPTION | DATE | APPROVED |
| - | RELEASED FROM ENGINEERING | 10/3/06 | |
| A | REVISED FREQUENCY RANGE & WIDTH | 12/12/06 | R.W. |



NOTES:

1. ALL DIMENSIONS ARE IN MILLIMETERS.
2. SPECIFICATION SUBJECT TO CHANGE OR WITHDRAWAL WITHOUT NOTICE.
3. THIS PART IS RoHS 2002/95/EC COMPLIANT.

FILE NAME
AS02708CO-2-R.DWG

| | | | |
|---|------|--|------------------------------|
| UNLESS OTHERWISE SPECIFIED: DIMENSIONS ARE IN MILLIMETERS, TOLERANCES ARE ±0.5 AND ANGLES ARE ±3°. | |  projects® unlimited Dayton, Ohio | |
| APPROVALS | | DATE | |
| DRAWN | J.D. | 10/06 | |
| CHECKED | B.R. | 10/06 | |
| APPROVED | R.W. | 10/06 | |
| DO NOT SCALE DRAWING | | SIZE A | DRAWING NO. AS02708CO-2-R |
| SCALE: N.T.S. | | SHEET 1 OF 1 | |